

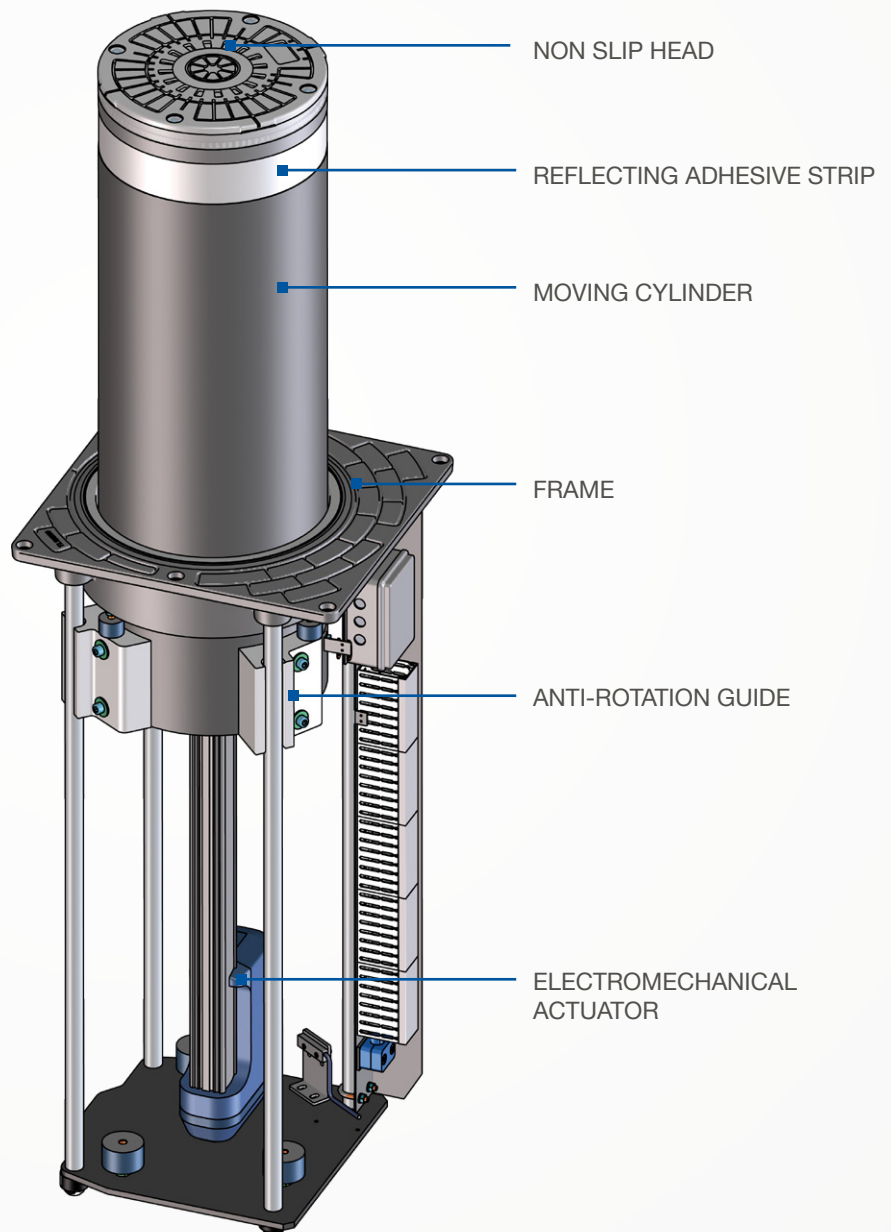
# 275/EM 600A



## ELECTROMECHANICAL BOLLARDS

PILOMAT 275/EM 600A are automatic electromechanical bollards designed by the Pilomat staff, who has worked in the retractable technologies industry since more than 20 years. The 275/EM 600A bollard is recommended for use in pedestrian areas, private parkings, business parkings, private driveways, business driveways, commercial driveways.

The 275/EM 600A is available with a large number of optional accessories that allow you to customize your system according to your security needs.



PAG.1/3

**PILOMAT**

100% MADE IN ITALY

PILOMAT s.r.l.  
www.pilomat.com / pilomat@pilomat.com  
Via Zanica 17/p, 24050, Grassobbio (BG) Italy  
Tel. +39.035.29.72.20  
Copyright 2015© Pilomat S.r.l. All rights reserved

275/EM 600A\_DATASHEET.16 REVIEW 16/11/2016

## AVAILABLE ITEMS

PILOMAT BOLLARD EM2760 FEV - NORMAL STEEL PAINTED  
STANDARD HEAD (WITHOUT MULTILED FLASHING LIGHTS 25 LED POINTS)

PILOMAT BOLLARD EM2760 IXS - STAINLESS STEEL BRUSHED AISI 304  
STANDARD HEAD (WITHOUT MULTILED FLASHING LIGHTS 25 LED POINTS)

KIT HEAD WITH MULTILED FLASHING LIGHT 25 LED POINTS  
ONE KIT FOR EACH BOLLARD

KIT ACOUSTIC ALARM  
ATTENTION: AVAILABLE ONLY FOR HEAD WITH MULTILED FLASHING LIGHT TM0230052  
ONE KIT FOR EACH BOLLARD

KIT MAGNETIC CONTACT FOR TRAFFIC LIGHT  
ONE KIT FOR EACH BOLLARD

ADHESIVE REFLECTING STRIP - WHITE (NO LOGO)

PIT FOR PILOMAT BOLLARD EM2760 - COUNTERFRAME AND BRACKET

CONTROL UNIT FOR PILOMAT BOLLARDS  
BASIC CONFIGURATION FOR 1 BOLLARD  
MAX. 3 BOLLARDS BY ADDING SLAVE CIRCUITS TM0230061

SLAVE CIRCUIT FOR CONTROL UNIT  
2 CIRCUITS MAXIMUM - 1 FOR EACH ADDITIONAL BOLLARDS

KIT WITH 2 RECHARGEABLE ACCUMULATORS 12V 7AH  
FOR TEMPORARY OPERATION IN CASE OF POWER FAILURE 230V  
ONE KIT FOR EACH CONTROL UNIT

REMOTE RADIO RECEIVER TO PLUG

DUAL-BAND RADIO TRANSMITTER

TRAFFIC LIGHT WITH TWO LIGHTS (RED - GREEN)

INDUCTIVE DETECTOR FOR TWO INDUCTIVE LOOPS

INDUCTIVE LOOPS

KIT HEATING RESISTANCE 24V 80W FOR BOLLARD EM2760  
ONE KIT FOR EACH BOLLARD

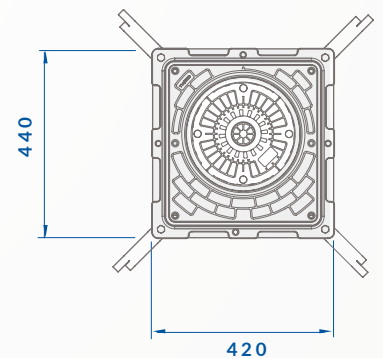
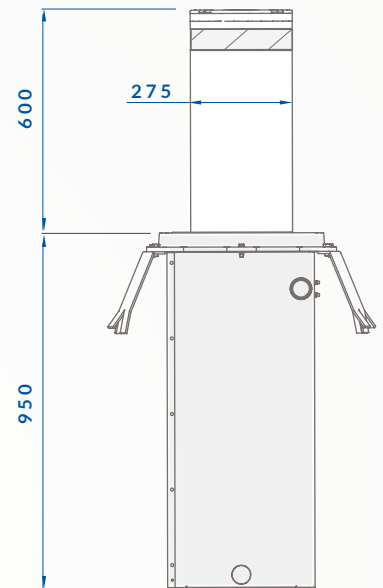
KIT THERMOSTAT FOR HEATING RESISTANCE  
ONE KIT FOR EACH BOLLARD

TRANSFORMER 230V/24V 100W FOR 1 HEATING RESISTANCE

TRANSFORMER 230V/24V 200W FOR 2 HEATING RESISTANCES

TRANSFORMER 230V/24V 300W FOR 3 HEATING RESISTANCES

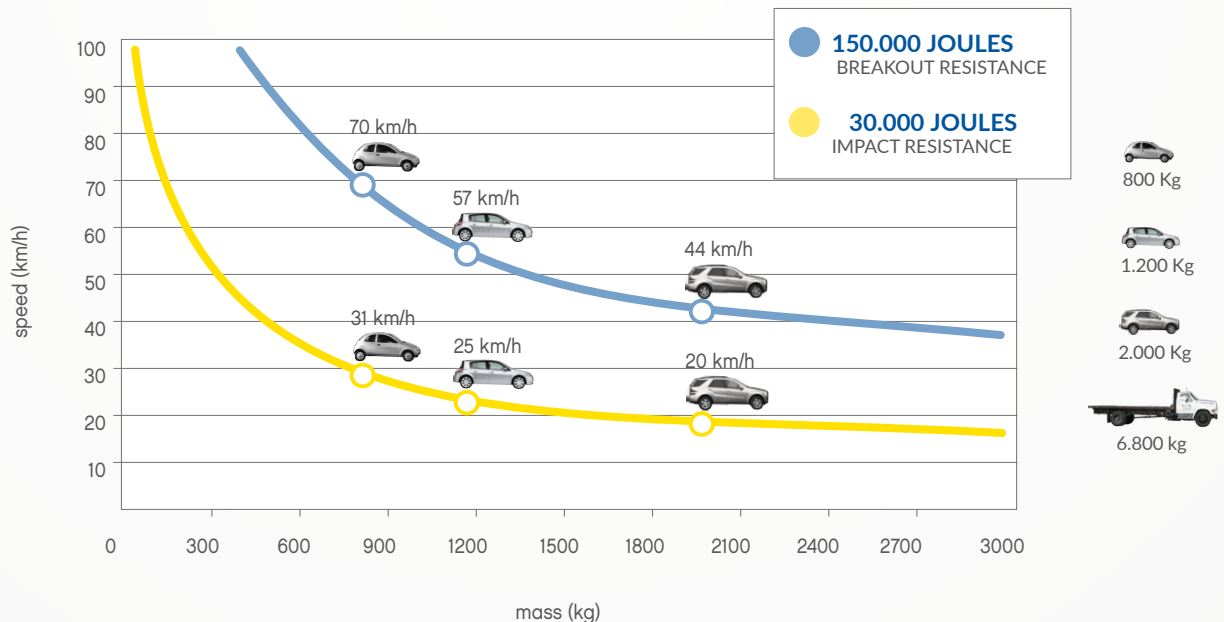
KIT PHOTOVOLTAIC CIRCUIT - OPERATION OF THE BOLLARD SYSTEM WITHOUT POWER SUPPLY 230V



# 275/EM 600A



MOVING CYLINDER	NORMAL STEEL FE 370 - STAINLESS STEEL AISI 304
MOVING CYLINDER DIAMETER	275mm
MOVING CYLINDER HEIGHT	600mm
MOVING CYLINDER THICKNESS	4mm
MOVING CYLINDER NORMAL STEEL FINISH	ANTI-CORROSION TREATMENT - STANDARD PAINTING GREY ANTHRACITE
MOVING CYLINDER STAINLESS STEEL FINISH	BRUSHED
REFLECTING ADHESIVE STRIP	INCLUDED IN THE SUPPLY - HEIGHT 55mm
RISING SPEED	12cm/s
LOWERING SPEED	12cm/s
EMERGENCY LOWERING IF POWER FAILED	OPTIONAL (WITH ADDITIONAL ACCUMULATOR ART. TM023.0072)
SAFETY REVERSAL PRESSURE SWITCH	INCLUDED IN THE SUPPLY
CONNECTION LINE TO CONTROL UNIT	10m INCLUDED IN THE SUPPLY - MAXIMUM LENGTH 20m (in case of lengths greater than 10m or in presence of additional kit, the line must be replaced by the installer according to our specifications).
VOLTAGE FOR CONTROL UNIT	230/400 Vac 50/60Hz
ELECTROMECHANICAL MOTOR	BUILT-IN THE BOLLARD
POWER CONSUMPTION ELECTROMECHANICAL MOTOR	140W (MAX. 250W) - 0,6A (MAX. 1,1A)
PROTECTION CLASS	IP 67
TYPE OF USE	100 MOVEMENTS/DAY - LIFE AVERAGE 200.000 MOVEMENTS
IMPACT RESISTANCE (WITHOUT DEFORMATION)	30.000 J
BREAKOUT RESISTANCE	150.000 J
OPERATING TEMPERATURE	-20°C +60°C (FOR LOW TEMPERATURES SEE HEATING RESISTANCE)
CONTROL UNIT	Art. TM0230070 - MAX. 3 BOLLARDS



100% MADE IN ITALY

PILOMAT s.r.l.  
[www.pilomat.com](http://www.pilomat.com) / [pilomat@pilomat.com](mailto:pilomat@pilomat.com)  
 Via Zanica 17/p, 24050, Grassobbio (BG) Italy  
 Tel. +39.035.29.72.20  
 Copyright 2015© Pilomat S.r.l. All rights reserved